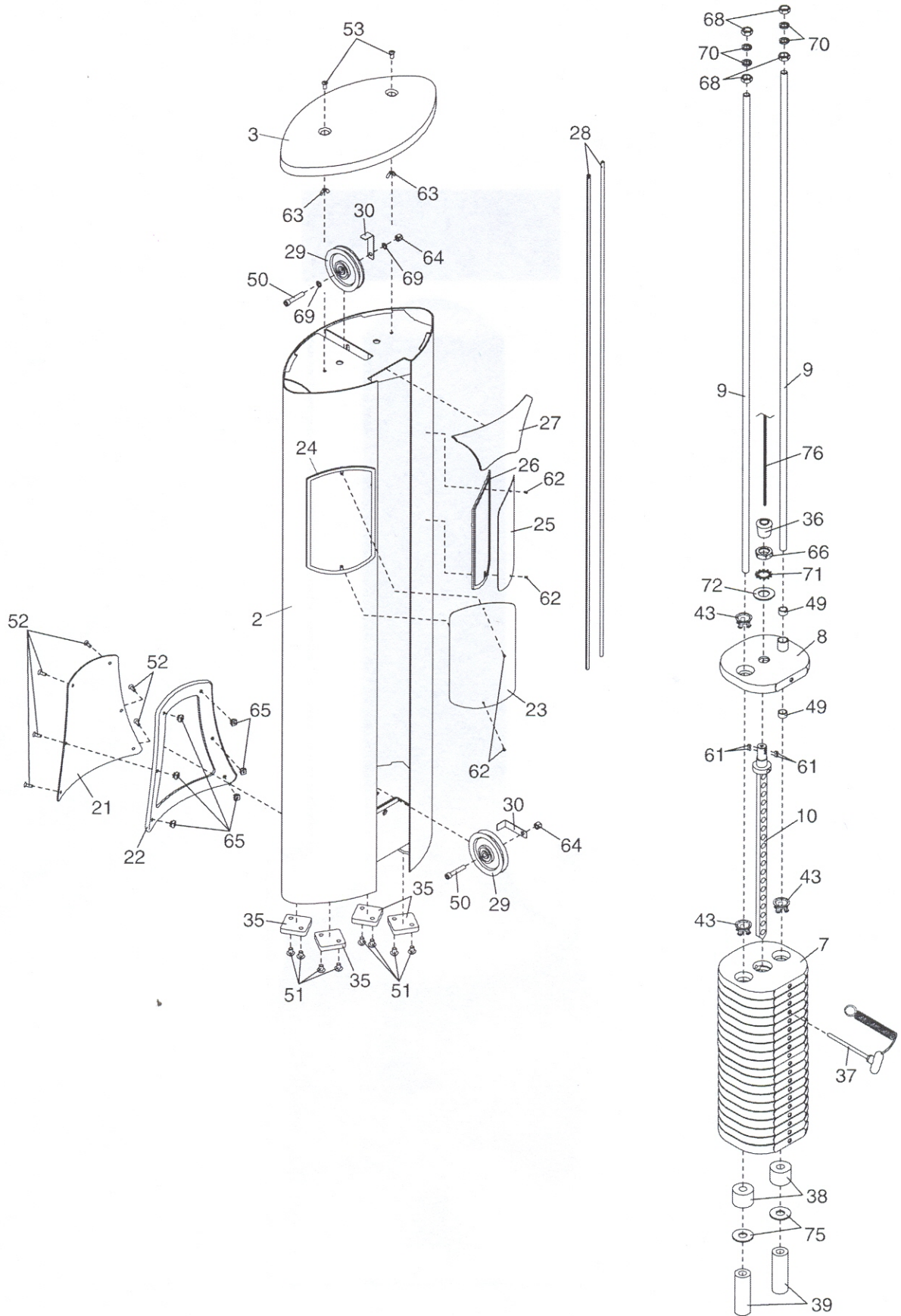


GZF18146.0			
Key	Part Number	Description	Qty.
1	GZ5558	BASE	1
2	GZ5562	TOWER	1
3	GZ3453	TOWER CAP	1
4	GZ5561	CAM	1
5	GZ5559	LONG PIVOT ARM	1
6	GZ5560	SHORT PIVOT ARM	1
7	GZ30598	WEIGHT	19
8	GZ4392	TOP WEIGHT	1
9	GZ3248-10	WEIGHT GUIDE	2
10	GZ5484	WEIGHT ROD	1
11	GZ1775	SHIN BAR AXLE	1
12	GZ3073-02	SHORT AXLE	1
13	GZ2339	ADJUSTMENT PLATE TIBIA	1
14	GZ5108-61	SEAT	1
15	GZ5108-59	RIGHT ARM PAD	1
16	GZ5108-60	LEFT ARM PAD	1
17	GZ1730	HANDGRIP	2
18	GZ1783	LONG AXLE	1
19	GZ3523	COUNTER WEIGHT	1
20	GZ5563	FOAM PAD	2
21	GZ30828	ACCESS PANEL	1
22	GZ1751	ACCESS PANEL GASKET	1
23	GZ30348	LONG PANEL	1
24	GZ1566	LONG PANEL FRAME	1
25	GZ30347	SHORT PANEL	1
26	GZ1567	SHORT PANEL FRAME	1
27	GZ3516	COVER	1
28	GZ1504	TRIM	2
29	GZ1003-08	PULLEY	2
30	GZ3102	CABLE GUARD	2
31	GZ1003-04	"V" PULLEY	1
32	GZ30218	ANCHOR STRAP	1
33	GZ1580	BASE FOOT	2
34	GZ1111	LARGE BUMPER	1
35	GZ1517	TOWER FOOT	4
36	GZ1353	COUPLER COVER	1
37	GZ1500	WEIGHT PIN	1
38	GZ1678	WEIGHT BUMPER	2
39	GZ30629	WEIGHT SPACER	2
40	GZ1776	PIVOT ARM CAP	1
41	GZ1399	AXLE CAP	1
42	GZ1501	POP PIN	1
43	GZ1391-01	WEIGHT INSERT	39
44	GZ1757	HANDGRIP CAP	2
45	GZ1011-01	1" BEARING	6
46	GZ1292	PIVOT STOP	5
47	GZ1169-01	"V" PULLEY BEARING	2
48	GZ1100	SMALL BUMPER	2
49	GZ1020	GUIDE BUSHING	2
50	GZ1013-04	3/8" X 2" BOLT	2
51	GZ1012-07	3/8" X 1/2" BUTTON SCREW	12
52	192770	1/4" X 3/4" SCREW	6
53	174796	1/4" X 1" BUTTON SCREW	2
54	GZ1013-05	3/8" X 2 1/2" BOLT	1
55	GZ1013-11	3/4" X 4 1/2" BOLT	2
56	GZ1012-01	3/8" X 3/4" BOLT	2
57	192773	3/8" 3/4" NON-PATCH BOLT	10
58	GZ1761	SMALL SET SCREW	8

59	GZ1009-03	1/2" X 1 1/4" SCREW	2
60	GZ1013-12	3/8" X 1 1/4" BOLT	1
61	GZ1673	LARGE SET SCREW	4
62	GZ1021-01	RIVET	4
63	GZ1430	WING NUT	2
64	GZ1007	3/8" NYLON LOCKNUT	6
65	GZ1735	1/4" CAGE NUT	6
66	GZ1418	ROD NUT	1
67	GZ1473	SHORT PULLEY BUSHING	2
68	GZ1084	GUIDE ROD LOCKNUT	4
69	GZ1069	3/8" SERRATED WASHER	4
70	GZ1085	GUIDE ROD WASHER	4
71	GZ1419	STAR WASHER	1
72	GZ1431	ROD WASHER	1
73	GZ1052	1" NYLON WASHER	5
74	GZ1018-07	SNAP RING	4
75	GZ1679	3/4" WASHER	2
76	GZ5020-39	CABLE	1
77	GZ1758	HANDGRIP RING	2
78	GZ5124-15	SEAT GUARD	1
79	GZ1623	LONG PULLEY BUSHING	2
80	GZ1012-16	5/16" X 5/8" BUTTON SCREW	4
81	GZ1012-12	3/8" X 5/8" BUTTON SCREW	4
		NON-ILLUSTRATED PARTS	
		WHAT PART IS NEEDED?	
#	GZ7406	USER'S MANUAL	1
#	GZ7406FR	USER'S MANUAL	1
#	GZ7406G	USER'S MANUAL	1
#	GZ7406IT	USER'S MANUAL	1
#	GZ7406SP	USER'S MANUAL	1
		WHAT PART IS NEEDED?	
#	GZ7005	DECAL,MOVING PARTS	1
#	GZ7005FR	DECAL,MOVING PARTS	1
#	GZ7005G	DECAL,MOVING PARTS	1
#	GZ7005IT	DECAL,MOVING PARTS	1
#	GZ7005SP	DECAL,MOVING PARTS	1
		WHAT PART IS NEEDED?	
#	GZ7026	DECAL,SELECTOR PIN INSERT	1
#	GZ7026FR	DECAL,SELECTOR PIN INSERT	1
#	GZ7026G	DECAL,SELECTOR PIN INSERT	1
#	GZ7026IT	DECAL,SELECTOR PIN INSERT	1
#	GZ7026SP	DECAL,SELECTOR PIN INSERT	1
		WHAT PART IS NEEDED?	
#	GZ7003	DECAL,WARNING,EXT,1-10 PT	1
#	GZ7003FR	DECAL,WARNING,EXT,1-10 PT	1
#	GZ7003G	DECAL,WARNING,EXT,1-10 PT	1
#	GZ7003IT	DECAL,WARNING,EXT,1-10 PT	1
#	GZ7003SP	DECAL,WARNING,EXT,1-10 PT	1

EXPLODED DRAWING—Model No. GZFI8146.0

R1006A



EXPLODED DRAWING—Model No. GZFI8146.0

R1006A

